

# IPC-320

## Compact Size Tower IPC with 12<sup>th</sup> Gen Intel® Core™ i CPU Socket (LGA 1700) and 250W PSU

NEW



### Features

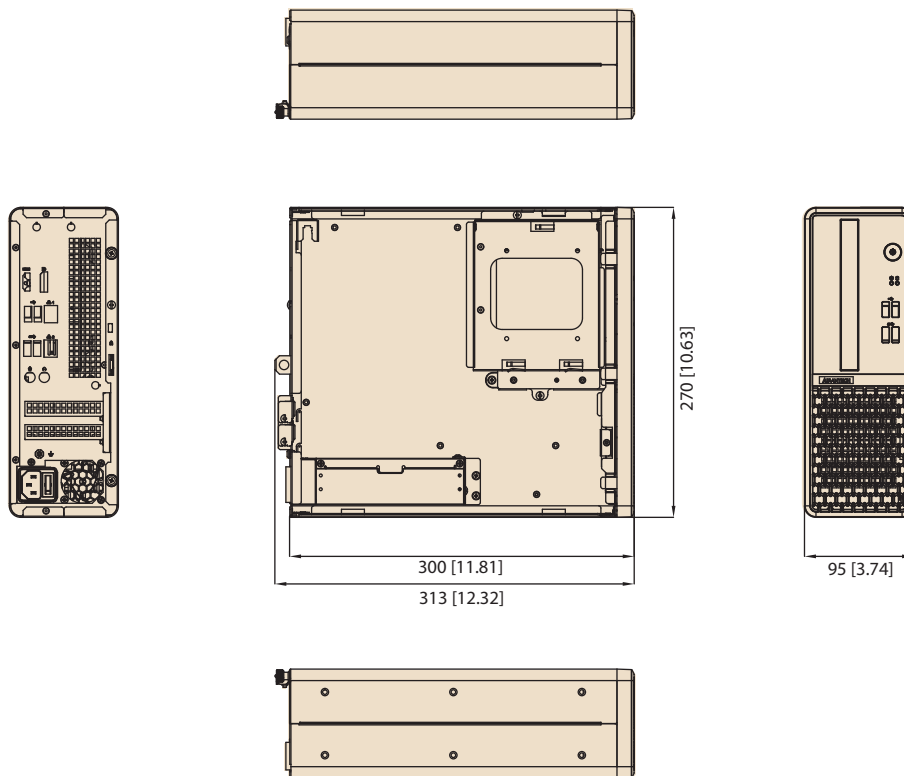
- Intel® 12th generation Core™ i9/i7/i5/i3 & Pentium®/Celeron® processor with H610E chipset
- Design for operator IPC and application with space limit
- Dual USB 3.2 and dual USB 2.0 port on both front and rear side
- Dual Independent Display (HDMI/ DP)
- 2 low profile Expansion slots (PCle16 and PCle4)
- Built in with 250W 12V and 5V output only single power supply
- Qualified for Amazon Web Service(AWS) IoT Greengrass

### Specifications

12th Generation Processor	CPU	i9-	i9-	i7-	i7-	i5-	i5-	i5-	i3-	i3-	Pentium	Pentium	Celeron	Celeron	
		12900(E)	12900TE	12700(E)	12700TE	12500(E)	12400	12500TE	12100(E)	12100TE	G7400E	G7400TE	G6900E	G6900TE	
	Base Frequency	2.4GHz	2.3GHz	2.1 GHz	1.4 GHz	2.9 GHz	2.5GHz	1.9 GHz	3.2 GHz	2.1 GHz	3.6 GHz	3.0 GHz	3.0 GHz	2.4 GHz	
	L3 Cache	30MB	30MB	25MB	25MB	18 MB	18 MB	18 MB	12 MB	12 MB	6 MB	6 MB	4 MB	4 MB	
	Cores	16	16	12	12	6	6	6	4	4	2	2	2	2	
	TDP	65W	35W	65W	35W	65W	35W	35W	65W	35W	46W	35W	46W	35W	
	Socket	LGA 1700													
	Temperature	0 ~ 40 °C													
	Chipset	H610E													
	BIOS	AMI 256MB SPI Flash													
Expansion slot	PCleX4 (Gen 3)	1													
	PCleX16 (Gen 4)	1													
Memory	Technology	Dual Channel (Non-ECC) DDR4 3200 MHz													
	Max Capacity	64 GB													
	Sockets	2 x 288-pin DIMM													
Graphics	Controller	Chipset integrated Intel HD Graphics													
	VRAM	Shares system memory is subjected to OS													
Ethernet	Interface	10/100/1000/2.5G Mbps (2.5G for LAN2 only)													
	Controller	GbE LAN1: Intel I219-V; GbE LAN2: Intel I226-V													
	Connector	2 x RJ-45													
SATA	Max. Data Transfer Rate	600 MB/s													
	Channel	3													
Front Panel I/O and Miscellaneous	USB	4 (2 x USB 3.2 Gen1 and 2 x USB 2.0)													
	LED Indicators	PWR, HDD													
Rear I/O	HDMI	1 (Resolution up to 4096 x 2160 @ 60Hz)													
	DP 1.2	1 (Resolution up to 4096 x 2304 @ 60Hz)													
	Ethernet	2													
	USB	4 (2 x USB 3.2 Gen 1, 2 x USB 2.0)													
	Audio	2 (Line-out , Mic-in )													
Internal connectors	USB type A	1													
	SATA	3													
	M.2	M key(link x2)													
	mSATA	1													
Drive bay	Slim Optical Drive	1													
	3.5"	1 (For single 2.5" or 3.5" HDD/SSD, no need 989K008734 bracket) (For dual T: 9.6mm 2.5" HDD/SSD, order 989K008734 bracket)													
Cooling	Fan	NA (Optional as 98R)													
	Air filter	NA (Optional as 98R)													
Environment	Temperature	Operating 0 ~ 40 °C								Non-Operating -20 ~ 60 °C					
	Humidity	85% RH@ 40 °C, non-condensing								95% RH @ 60 °C, non-condensing					
	Vibration (5-500Hz)	1 Grms								2 G					
	Shock	10G (with 11ms duration, hal sine wave)													
System security monitoring		Chassis intrusion switch (Optional)													
		Padlock hoop													
		Kensington cable lock slot													
Physical Characteristics	Dimension (W x H x D)	95 x 270 x 300 mm (3.74 x 10.63 x 11.81 inch)													
	Weight	3.306 kg (7.289 lb)													
EMC Emission Class		EMI class B													

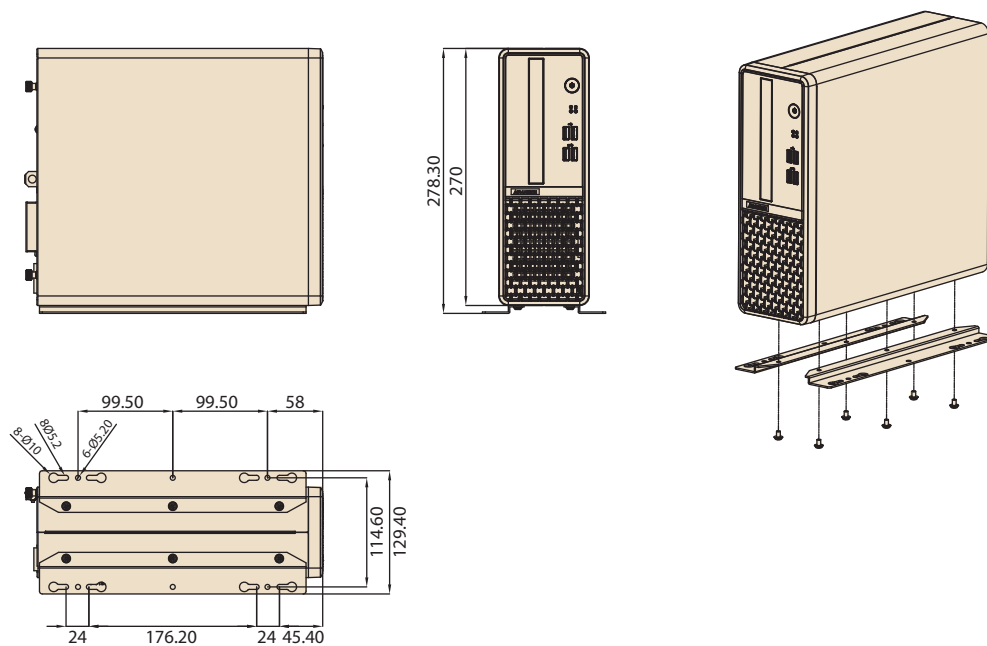
## Dimensions

Unit: mm

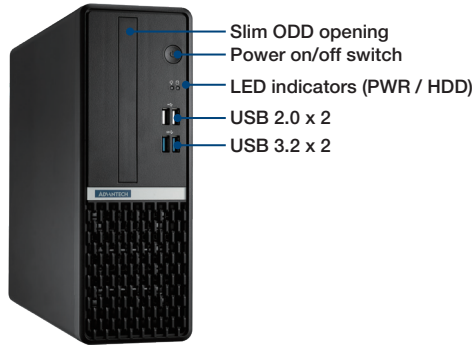


## Installation

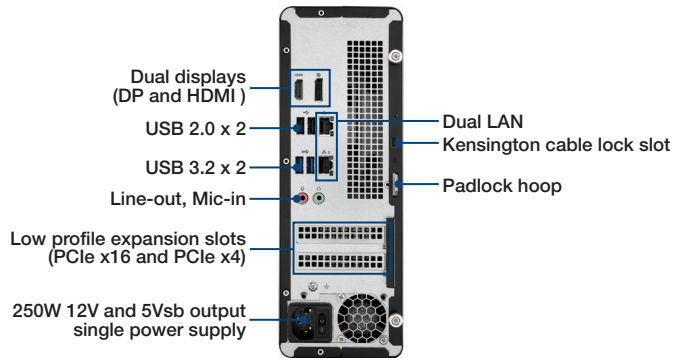
Unit: mm



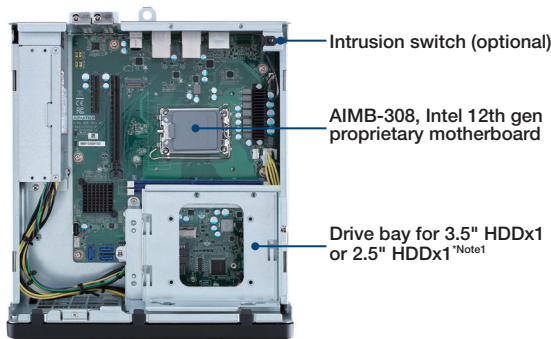
### Front View



### Rear View



### Inside View



\*Note 1 : Choose convert bracket 989K008734 to have 2x2.5" HDD installed.

### Ordering Information

Part number	Compatible motherboard	Compatible CPU cooler	HDD / SSD bay	Power supply wattage
IPC-320-25A	AIMB-308H-00A1	1970005380T001	1 x 3.5" or 2 x 2.5" (T:9.6 mm)	250W

Part number	Chipset	PCIex16	PCIex4	SATA	GbE	USB 3.2	USB 2.0	mSATA	M.2
AIMB-308H-00A1	H610E	1	1	3	2	2 (front) 2 (rear)	2 (front) 2 (rear) 1 (internal type A)	1	M key (link x 2)

### IPC-320 Packing List

Item	Description	Qty
IPC-320	Compact tower computer chassis	1
	Screws	one bag
1960005359T005	Mounting bracket	a pair
1700018785-11	SATA power cable for storage	1
96PS-A250WFXB12	250W (12V and 5Vsb output only)single power supply	1

### AIMB-308H Packing List

Item	Description	Qty
AIMB-308	AIMB-308H proprietary motherboard	1
2041030800	Start up Manual for AIMB-308	1
1700018971	SATA data cable 15 cm	1

### Optional Accessories

Part number	Description
1970005380T001	CPU blower cooler LGA1700-65W for IPC-320
98R13200001	Fan kit (including 8 cm fan, fan cable, fan filter, fan guard, screws)
1700018785-11	SATA power cable 35cm for storage
1700023646-01	SATA power cable 30cm for Slim ODD
989K008734	Convert frame bracket to fix two 2.5" HDDs/SSDs in a 3.5" drive space
1700033647-01	Intrusion switch (Case open) cable

\* Note : Use recommend CPU blower for stable system thermal efficiency  
 \* Note : Always order 98R13200001(Fan kit) with installed add-on card application.